

ShieldPro Battery Video Doorbell Quick Start Guide



The ShieldPro Battery Video Doorbell lets you see and talk to visitors through the panel or mobile app. Requires occasional recharging.

The auxiliary doorbell (see **Figure 2**) remains on the wall when you remove the main doorbell for charging. It does not have video capabilities but notifies you through the app and panel when pressed.

What comes in the box?

- Battery doorbell x 1
- Mounting bracket with auxiliary doorbell x 1
- Angle wedge x 1
- Wall anchors x 2
- Wall screws x 2
- Bracket screws x 2
- Security screws x 4
- Security screwdriver x 1

Video Doorbell camera parts

Figure 1: Parts of your doorbell

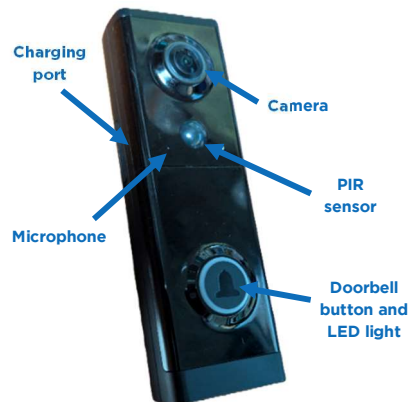


Figure 2: The mounting bracket with auxiliary doorbell



Important safety instructions!



If replacing a hardwired doorbell, turn off power to the existing doorbell at the circuit breaker box before installing your new doorbell. Verify that the power is off before you start working.

Placement tips

- The ideal height is 4 feet above the ground.
- If needed, use the optional angle wedge to adjust the camera viewing angle.

Mount your doorbell

- Step 1** Charge your battery doorbell with a USB-C cable.
- Step 2** Pair your doorbell with the panel once fully charged. See **LED Lights** for charging status.
Settings (☰ button) > **Devices** > + > Select **Doorbell** > Follow the panel's instructions to pair your video doorbell
- Step 3** Use the mobile app or panel to check the field of view before drilling or installing.
- Step 4** If replacing an existing wired doorbell, **turn off the power at the circuit breaker**. Remove the doorbell, cap the wires, and tuck them into the wall before restoring power.
- Step 5** If necessary, mark your drill holes with the mounting bracket (or angle wedge). See **Figures 3 & 4**.
- Step 6** Screw the bracket (or angle wedge with the bracket) to the wall, using anchors as needed.
- Step 7** Slide the doorbell onto the anchor until it's flush with the mounting bracket.
- Step 8** Use the provided screwdriver to secure doorbell to the bracket with the security screws (see **Figure 2**). Do not overtighten.

Installation diagrams

Figure 3: Installation without angle wedge

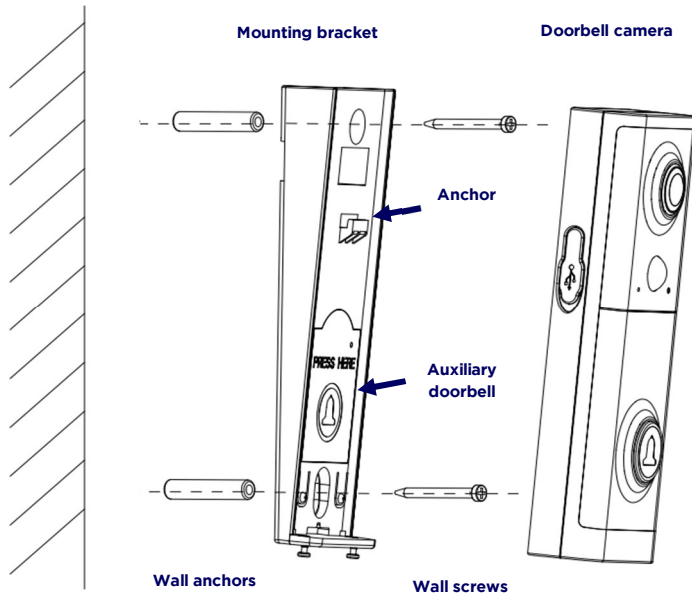
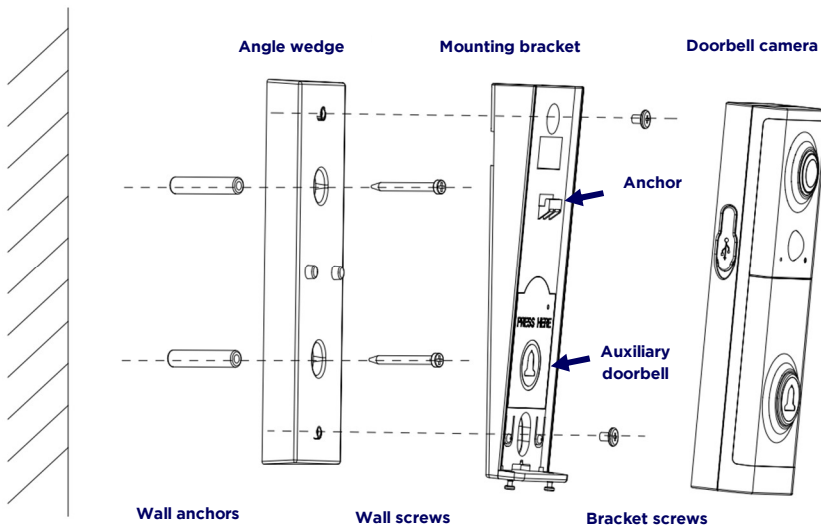


Figure 4: Installation with angle wedge



LED lights

LED color	Pattern	Description
	Flashing	Battery charging
	Pulsing	System booting
	Pulsing	Ready for pairing
	Flashing	Pairing
	Solid	Ready mode
	Solid	In-call mode
	Solid	Firmware upgrading
	Flashing	Alarm triggered
	Solid	Pairing failed <ul style="list-style-type: none"> • Check Wi-Fi credentials
	Rapid Flashing	Wi-Fi reset <ul style="list-style-type: none"> • Hold doorbell button for 20 seconds
	Flashing	Power cycle <ul style="list-style-type: none"> • Hold doorbell button for 40 seconds
	Rapid Flashing	Factory reset <ul style="list-style-type: none"> • Hold doorbell button for 60 seconds

Questions?

Contact us at 1-800-574-7798 or CST@shieldpro.com